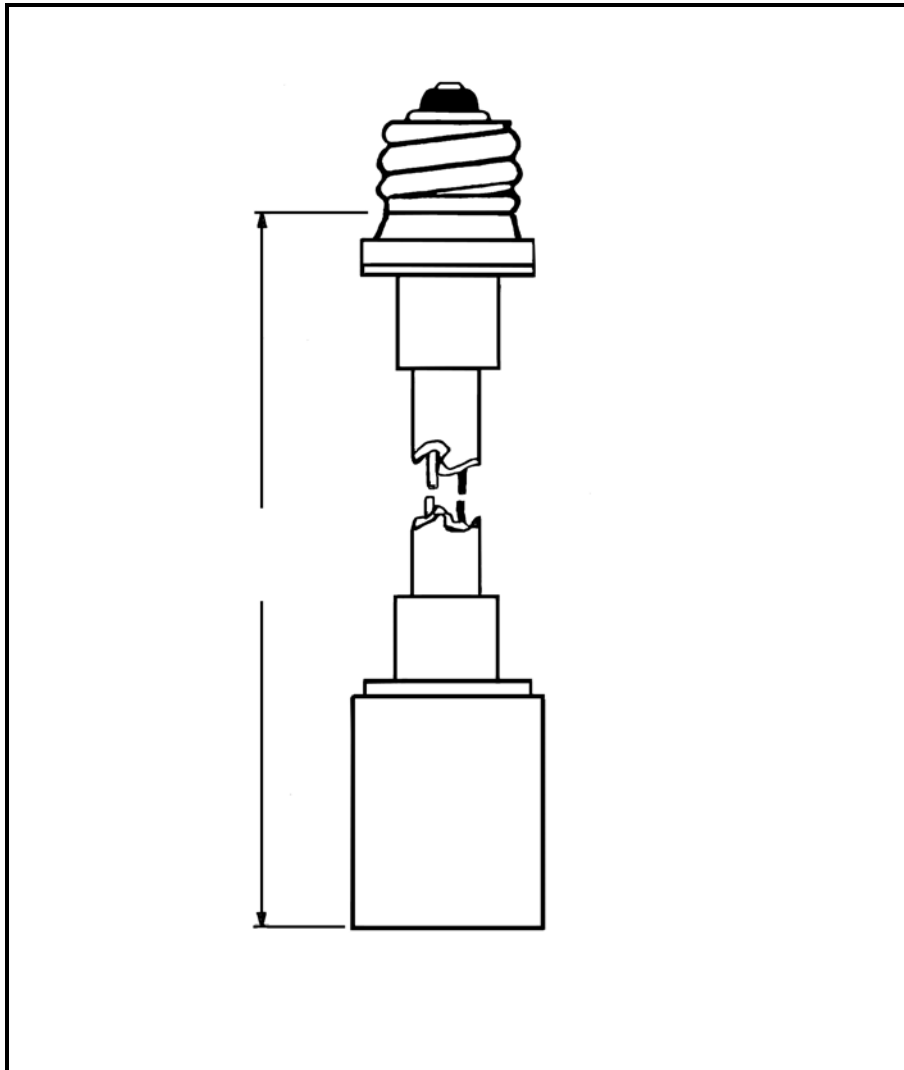


SWIVELIER

ADJUSTABLE LIGHTING

CUSTOM LENGTH NON-ADJUSTABLE 250 WATT SOCKET EXTENSION MEDIUM BASE TO MEDIUM BASE



Custom Length Socket Extender, Medium to Medium Base

Specify the Socket Extension Desired:

The socket extension is measured from the bottom of the existing socket to the bottom of the extender socket. Indicate the exact socket extension length needed between the two arrows above.

Special Catalog Number(to be assigned): _____

Socket Diameter: 1-1/2". **Price Quote:** _____

Lamps: Up to 250 Watt PAR-38 Halogen or Metal Halide Reflector Lamps

Note: Because the 250 watt lamp radiates considerable heat, do not use lamp in enclosed, close fitting fixtures. Extended 250 watt PAR-38 lamp must be positioned outside of the recessed fixture.

Metal Parts: Natural Metal Finish

SOCKET EXTENDER RETROFIT LIGHT CONVERTER

Socket Extension easily screws into an existing medium base socket and allows you to extend lamp. Custom length option lets you specify the amount of extension desired.

The male screw in base features a built-in ratchet mechanism that prevents over tightening of lamp.

- High quality porcelain 4KV pulse rated socket.
- Copper, nickel plated, female screwshell.
- Brass, male screwshell.
- Rated 660 W - 600 V.
- For use with up to 250 watt medium base Halogen or Metal Halide reflector lamps on 120v to 277v.

To Request Price Quote

Please advise quantity needed: _____

Name: _____

Company: _____

Address: _____

Phone: _____

Fax: _____

E-mail: _____

Fax to us at 845-353-1512

We will assign a special catalog number and advise your price.

Please include a signed copy of approval with your order.

Approved: _____

Company: _____

Date: _____